

SYSTEM: STRAINBOX

MODEL: L



Product description

The StrainBox L makes it possible to transport critical and defective lithium-ion batteries in an ADR-compliant manner and to store them safely. The size and construction have been specially designed for the storage and transport of batteries and modules, such as those installed in hybrid vehicles.

All packaging in the StrainBox series has an integrated filter system that filters out toxic gases to a large extent. Dust and particles that are harmful to health are retained and the escape of solids, liquids and flames is prevented.

Due to the integrated thermal management, there is no critical temperature increase of the outer walls. If the batteries inside should have an accident, contamination in the vicinity of the packaging is prevented.

To protect people and property, the StrainBox L also has the typical safety features that only products from Stöbich Brandschutz GmbH offer. These include the filter system, the mechanically resistant design and the integrated thermal management.

Main features

ADR-compliant transport of critical and defective lithium-ion batteries

Retention of liquids and solids

pressure-resistant construction

Secure and stable locking

Integrated gas filter system

Neutralisation of the pollutant gases that occur

mechanical strength

Protection of persons and property

tested complete system

Absorption and dissipation of thermal energy

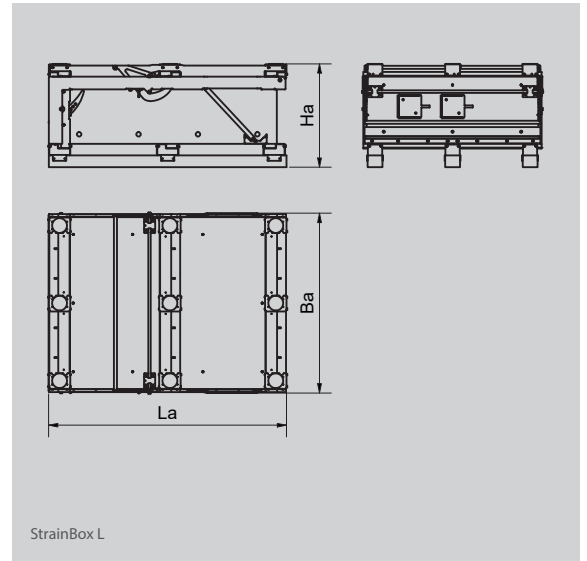
No escape of sparks and flames

No dusting fillers

Product features

Technical data	StrainBox L	StrainBox L120-M
External dimensions $L_a \times W_a \times H_a$	1.600 x 1.200 x 696 mm	1.207 x 980 x 765 mm
Inner dimensions $L_i \times W_i \times H_i$	1.378 x 887 x 326 mm	700 x 520 x 326 mm
max. empty weight	557 kg	300 kg
max. payload (transport)	260 kg	120 kg
max. energy content	31,2 kWh	15 kWh
Capacity	399 l	119 l
Approval	approved UN dangerous goods packaging with X-coding for transport in accordance with ADR, RID and IMDG Code*	-

* Transport modes road, rail, inland and maritime shipping; Stöbich is a manufacturer of dangerous goods packaging with a recognised quality assurance programme in accordance with BAM dangerous goods regulations.



Variants

All versions are available with an electric drive system for automated opening and closing of the packaging. The M variants contain a control unit for this purpose, which can also be integrated into production lines.

Description of the components

Gas filter system

Locking system

Lashing eyes for load securing

Gas springs

Drip tray for liquids

Number plate holder for signage

Notes

It is possible to adapt the dimensions to customer requirements after prior consultation.